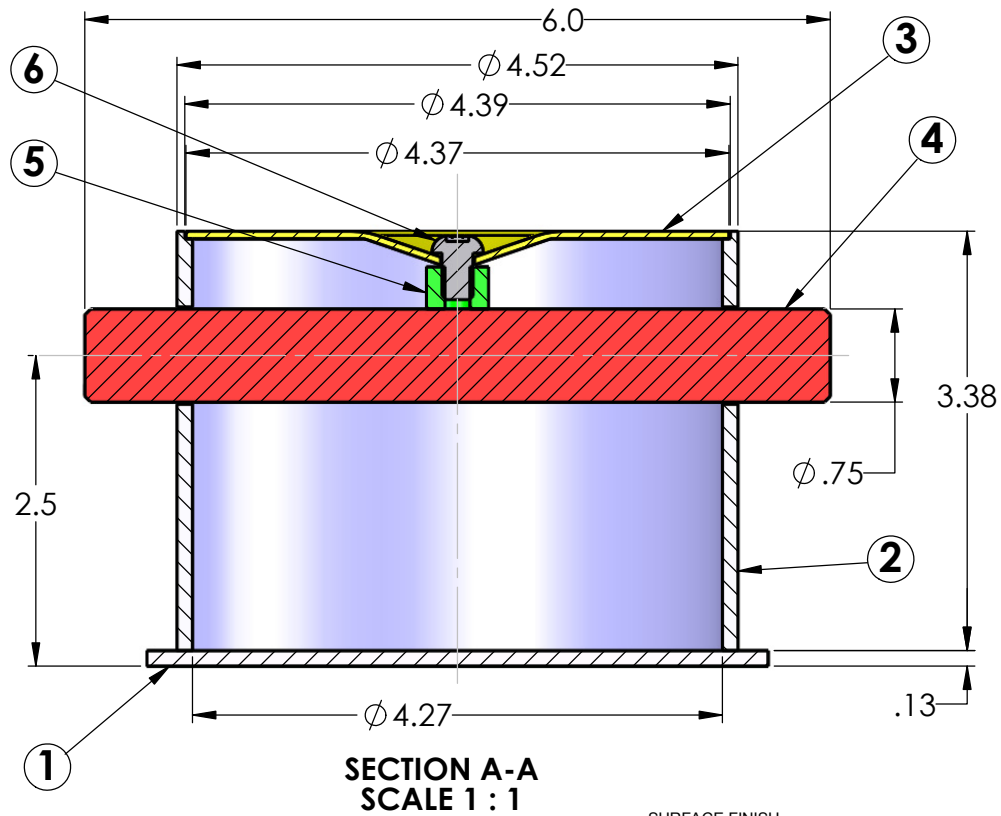


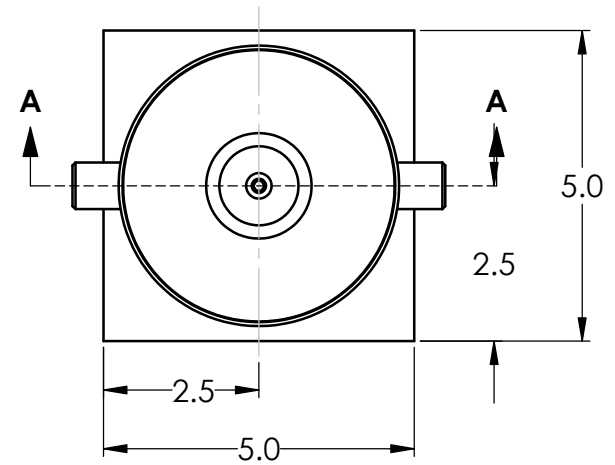
DWG NO. **MA-V1**

REVISIONS				
ECO	REV	DESCRIPTION	DATE	DRAFTER
	00	Eng Release	11/24/14	jk

Item No.	Part Number	Description	Qty	Material
1	Base Plate	Base Plate - Motorcycle Anchor	1	1018 CRS
2	Tube	Tube - Motorcycle Anchor	1	4 NPS Schedule 10
3	Cap	Cap - Motorcycle Anchor	1	1018 CRS - 16 Ga.
4	Cross Bar	Cross Bar - Motorcycle Anchor	1	1018 CRS - 3/4" Dia
5	Nut	Nut - Motorcycle Anchor	1	1018 CRS
6	1/4" Button Head Screw	Screw - Button Head, 1/4-20 x .38 Long	1	



SURFACE FINISH
X⁶³ ALL MACHINED SURFACES EXCEPT AS NOTED



INTERPRET THIS DRAWING PER ANSI Y14.5M-1982

UNLESS OTHERWISE SPECIFIED	
DIMENSIONS ARE IN INCHES	
DO NOT SCALE DRAWING	
REMOVE ALL BURRS AND SHARP EDGES	
UNLESS OTHERWISE SPECIFIED TOLERANCES:	
DECIMALS	MACHINED ANGLES
X.X	±0.02
X.XX	±0.01
X.XXX	±0.005
X.XXXX	±0.0005
	±1/2°
-X	MATERIAL
2	BRASS
4B	12L14
5	303 SST
5L	17-4 SST
5C	316 SST
1C	6061 AL



ValveCheckInc.com
1081 Hwy 36 E
Maplewood, MN 55109
651-330-3437

TITLE			
Motorcycle Anchor			
SCALE	DESIGN	DATE	SHT 1 OF 1
1:2	JK	11/24/2014	
SIZE	DWG NO.	REV	
B	MA-V1	00	