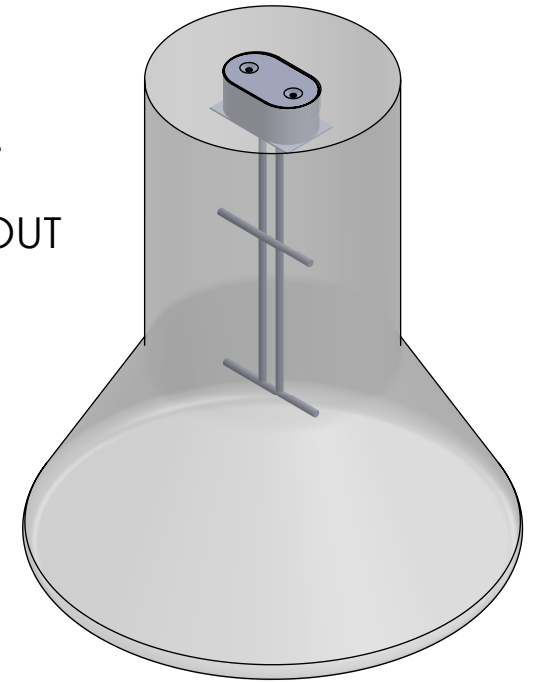


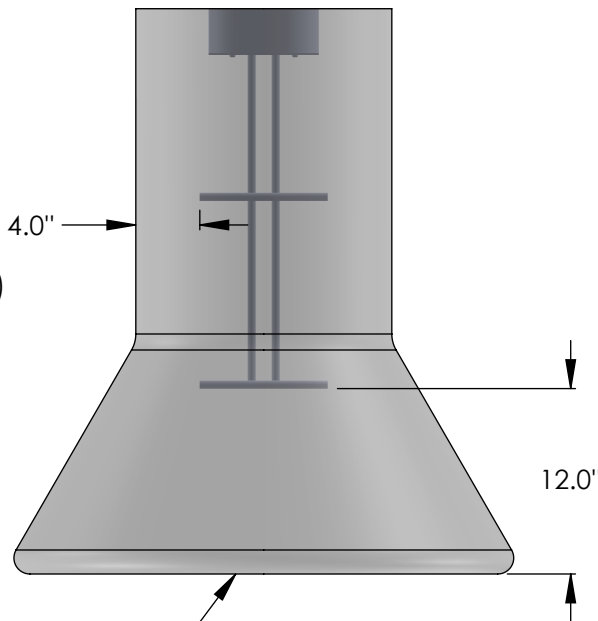
# VERTICAL PULL

## ANCHOR INSTALLATION GUIDELINE

USING A CIVIL ENGINEER TO DETERMINE SOIL PULLOUT STRENGTH IS RECOMMENDED



HOLE DIAMETER **MUST** BE AT LEAST 8" WIDER THAN THE WIDEST PART OF THE ANCHOR (4" PER SIDE)



CONCRETE

HOLE DEPTH **MUST** BE AT LEAST 12" DEEPER THAN THE LENGTH OF THE ANCHOR

**Anchor must be below frost line**

**ANCHOR MFG**  
**Eagan, Minnesota**