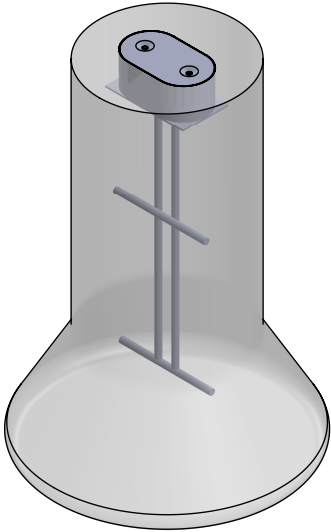


DIAGONAL PULL

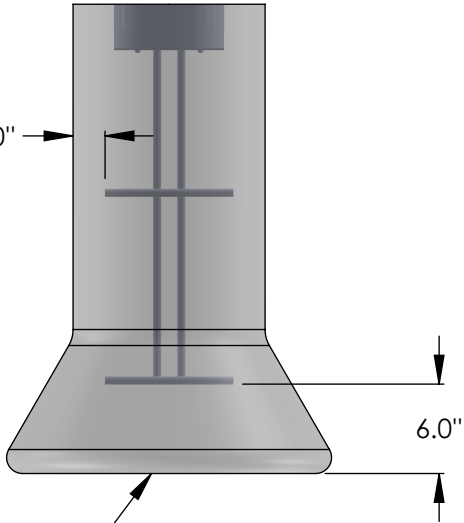
ANCHOR INSTALLATION GUIDELINE

USING A CIVIL ENGINEER TO DETERMINE SOIL PULLOUT STRENGTH IS RECOMMENDED



HOLE DIAMETER **MUST** BE AT LEAST 4" WIDER THAN THE WIDEST PART OF THE ANCHOR (2" PER SIDE)

2.0"



HOLE DEPTH **MUST** BE AT LEAST 6" DEEPER THAN THE LENGTH OF THE ANCHOR

CONCRETE

Anchor must be below frost line

**ANCHOR MFG
Eagan, Minnesota**